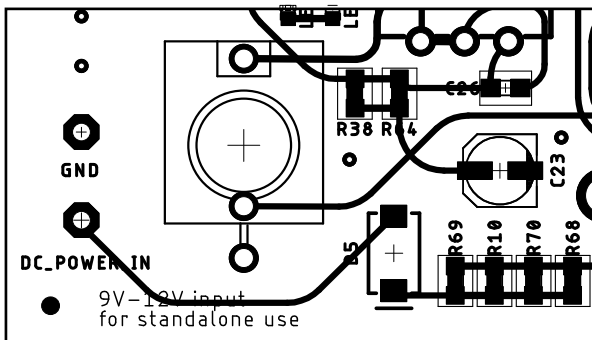
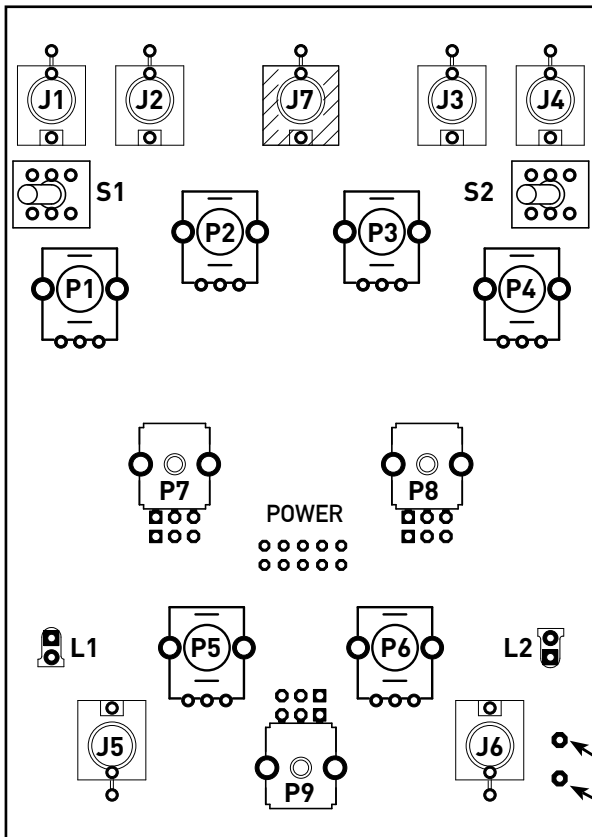


Ar Merch'et Brao Stereo Overdrive Filter: DESKTOP VERSION

! Solder on the other side of the board to the SMD Components! Solder in the order below from top down!



POWER10 pin Power Supply Socket

- J1 Black Jack
- J2 Black Jack
- J3 Black Jack
- J4 Black Jack
- J5 Black Jack
- J6 Black Jack

- J7 Green Jack

- P1 100kB Lin Pot
- P2 100kB Lin Pot
- P3 100kB Lin Pot
- P4 100kB Lin Pot
- P5 100kA Log Pot
- P6 100kA Log Pot
- P7 100kB Dual Lin Pot
- P8 100kB Dual Lin Pot
- P9 100kB Dual Lin Pot

GND Solder the Black Wire
DC POWER IN Solder the Red Wire

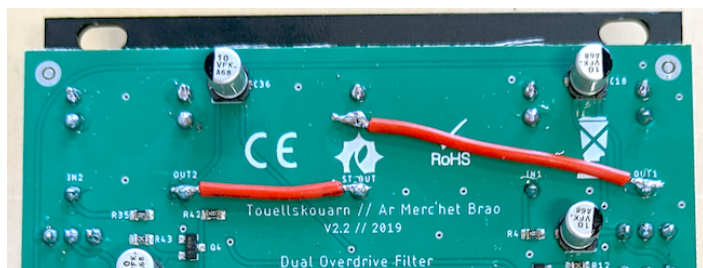
L1, L2 LED3MM

*Put the Leds in place without soldering them,
(longest pin = square hole)
Screw the panel then solder them.*



DC POWER IN Souder le fil Rouge, **Solder the Red Wire**
GND Souder le fil noir, **Solder the Black Wire**

wires Souder les fils Rouges, **Solder the Red Wires**



NOTE: Check your PCB version

If the PCB is V2.2 then you will also need to solder the red wires like in the picture to the left.

If your PCB is V2.3 then this wiring is not required.