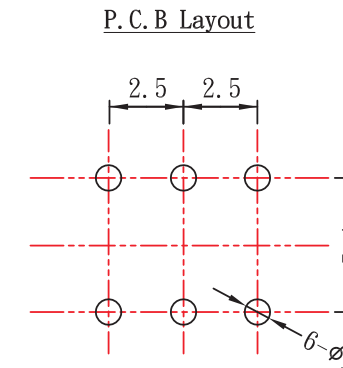
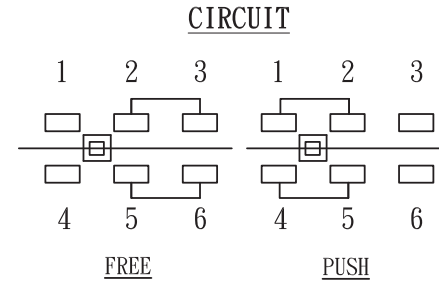
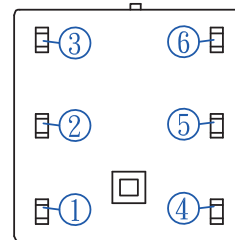
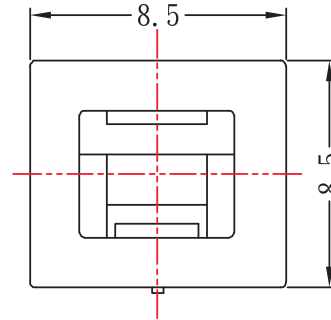
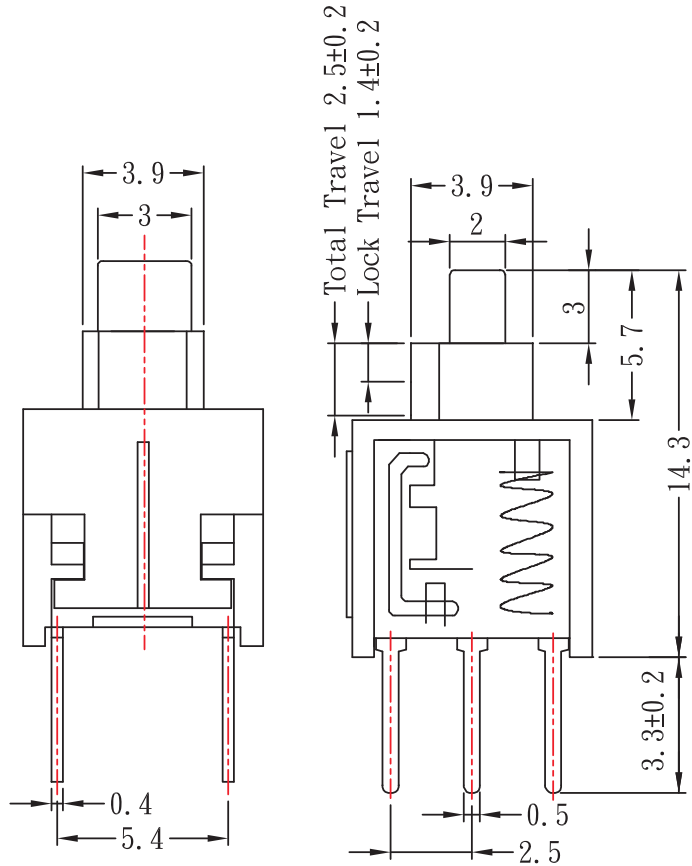


Thonk.co.uk - Low-Profile Push Buttons

Date	Rev.	Description



TOLERANCE		
RANGE		TOL
0	< 0.5	±0.10
0.50	< 5	±0.15
5.0	< 10	±0.20
10.0	< 20	±0.30
20.0	< 50	±0.40
ANGLE R		R0.3
ANGLE		±2°

ITEM	DESCRIPTION	QTY	MATERIALS	REMARK
1	STEM	1	POM	NATURAL
2	COVER	1	PC	Grey
3	SPRING	1	STEEL WIRE	
4	TERMINAL	6	BRASS	Ag Plated
5	BASE	1	PA66	BLACK
6	CROCHET	1	SUS	
7	CONTACT	2	C5210	Ag Plated

Operation mode:
 - DPDT non-Latching ON-(ON) momentary
 - DPDT Latching ON-ON

DCC. NO.
A4 DRAWING NO.

PART NO.		Rev.	1
Description :			
UNIT mm	SCALE	SHEET 1 OF 1	CAS No: ERN No:
DRAWN :			
VERIFY :			